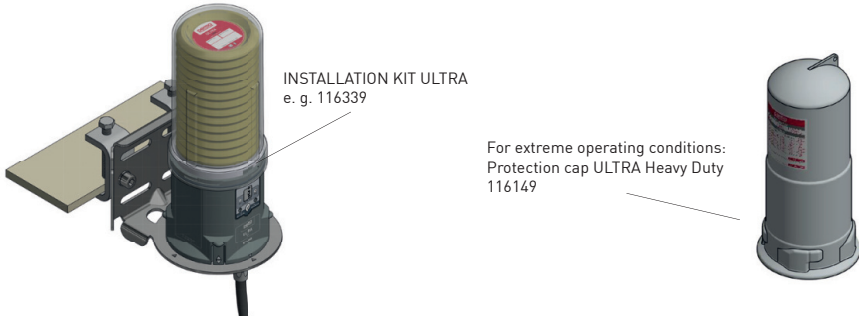


# perma ULTRA - Quick Start Guide

## 1. Predefine installation / Select lubricant, discharge period + connecting parts



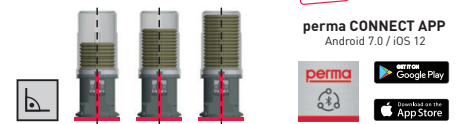
INSTALLATION KIT ULTRA  
e. g. 116339

For extreme operating conditions:  
Protection cap ULTRA Heavy Duty  
116149

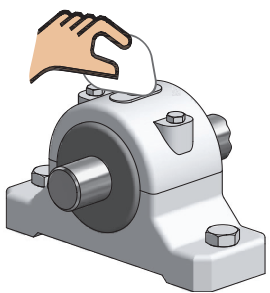
**Select a suitable lubricant for perma ULTRA LC**  
→ e. g. perma Multipurpose grease SF01

**Select discharge period**  
→ e. g. with perma SELECT APP  
(refer to our product catalog for details)

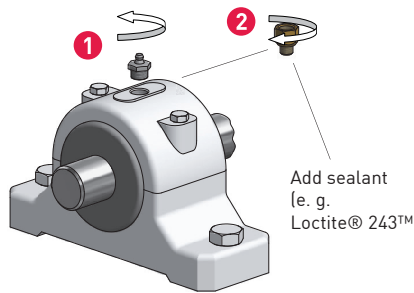
**Possible mounting position**



## 2. Prepare lube-point




Clean lube-point



1 2

Add sealant  
(e. g. Loctite® 243™)

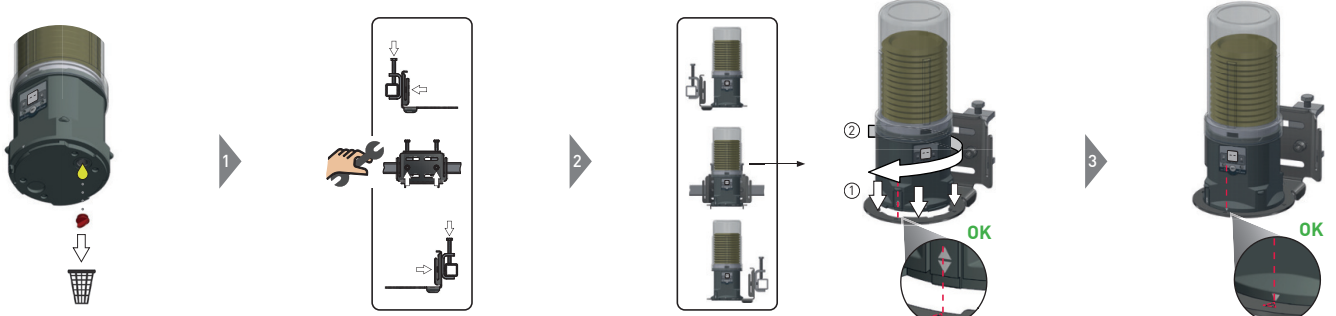
Remove grease fitting and add reducer and tubes



**HINT** Pressure check: Lube-point / all connecting parts

Prefill lube-point and any grease lines / connections  
(use the same grease that is contained in the lubrication system)

## 3. Prepare mounting bracket



1 2 3

OK OK

## 4. Activation / Installation of lubrication system



Insert the battery pack into the drive and click it into place; remove plug from drive and dispose of it

Remove transport protection and plug and dispose of it

Ensure that grease completely fills the LC outlet; there must be no air pocket in the LC

Place LC on center of drive and adjust it with front lug until it catches; system automatically recognizes LC size

Place cover over LC and turn until it catches

**HINT** Use perma CONNECT APP for applying settings

Set unit of time [m, w] by pressing the SET button:  
1x = m (months)  
2x = w (weeks)

Set the discharge period; note activation / exchange date on label