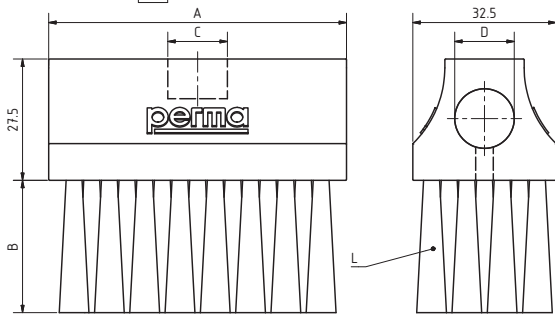


Version 1



Company / Name _____

Street address _____

City - State/Province - Zip/Postal code - Country _____

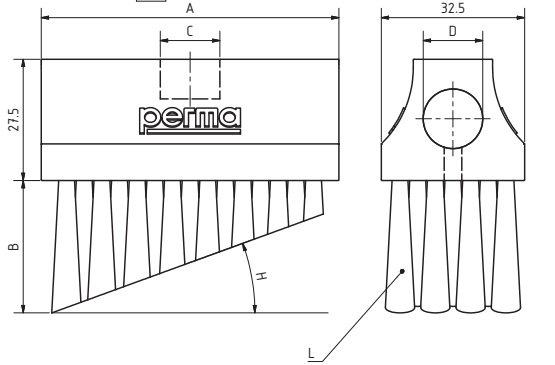
Phone: Country code - Area code - Number _____

Comments: _____

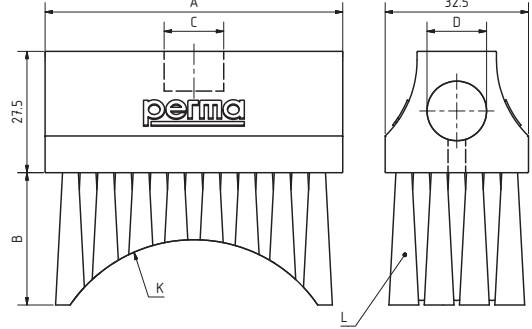
→ sales@perma-tec.com

send

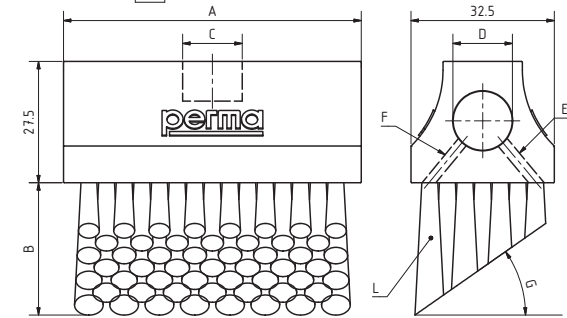
Version 2



Version 3

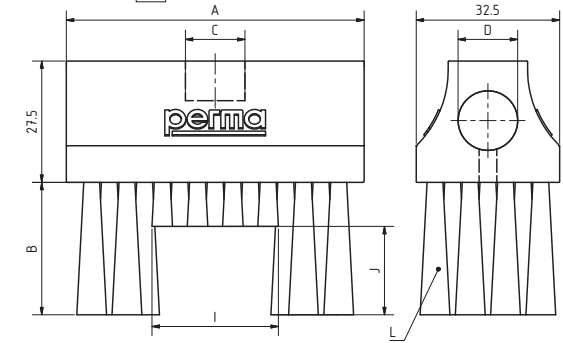


Version 4



With changed oil outlet for objects which shall be lubricated from the side.

Version 5



Position	Description	
A	length of brush body	<input type="checkbox"/> 48 mm <input type="checkbox"/> 67.5 mm <input type="checkbox"/> 108 mm
B	height of bristles	<input type="checkbox"/> 20 mm <input type="checkbox"/> 30 mm <input type="checkbox"/> 40 mm
C	G1/4 female connection thread on top	<input type="checkbox"/> yes <input type="checkbox"/> no
D	G1/4 female connection thread on left side	<input type="checkbox"/> yes <input type="checkbox"/> no
E	oil outlet	<input type="checkbox"/> yes <input type="checkbox"/> no
F	oil outlet	<input type="checkbox"/> yes <input type="checkbox"/> no
G	angle size	_____ °
H	angle size	_____ °
I	cut-out length	_____ mm
J	cut-out height	_____ mm
K	radius	_____ mm
L	bristles	-40 °C ... +80 °C (Horse hair)

Procedure:

- 1.) Select the brush version you need {1,2,3,4,5} and mark it with an X.
- 2.) In the overview chart: Place X in the required boxes and add the data requested.
- 3.) Contact perma-tec and request offer for the number of brushes required.

